

AP-3500 Series

Multiple HDMI Outputs Office Grade Thin Clients

AP-3500-E01-003



AP-3500-H01-003





AP-3500-E01/H01-003

Multiple HDMI Outputs Office Grade Thin Client

Features

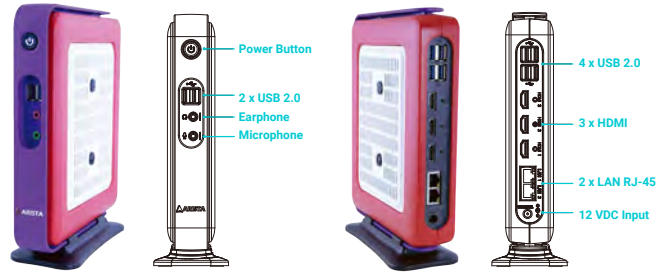
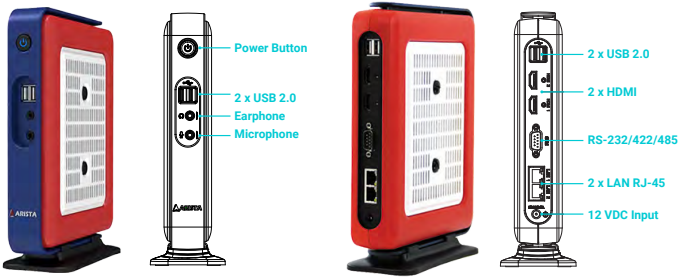
- Intel Celeron J1900 @ 1.99GHz / Atom E3845 @ 1.91GHz CPU; 1.6 GHz Celeron-3855U
- 4GB DDR3 / 4GB DDR4 SO-DIMM
- Dual 1080p / 3x 4K HDMI
- Dual Gigabit Ethernet
- ThinManager Ready, PXE Boot
- Desktop or VESA Mount Available

Specifications

Model Name	AP-3500-E01/H01-003	
	E01-003	H01-003
System		
CPU	Intel Celeron J1900 @ 1.99GHz / Atom E3845 @ 1.91GHz CPU	1.6 GHz Celeron-3855U
Chipset	Bay Trail	Skylake
Memory	4GB DDR3 SO-DIMM	4GB DDR4 SO-DIMM
Video Controller	Intel Gen7 Intel Graphics DX 11, OGL3.2	Intel HD Graphics 520
Video Interface	Dual HDMI	3 x HDMI Ports *Support 1 x 4K/30
Storage Option	N/A	N/A
Compact Flash	N/A	N/A
Keyboard/Mouse	USB	USB
Audio	Mic In, Line Out	Mic In, Line Out
Watchdog Timer	N/A	N/A
Remote Boot	ThinManager Ready, PXE	ThinManager Ready, PXE
Expansion Slot	Mini PCIe x 2	Mini PCIe x 1
I/O Communication		
USB Port	4 x USB 3.0	6 x USB (4x USB 3.0, 2 x USB 2.0)
Serial Port	1 x RS-232/422/485	N/A
IEEE 1394	N/A	N/A
LAN	2 x Gigabit	2 x Gigabit
Parallel	N/A	N/A
GPIO	N/A	N/A
Smart Battery		
External Smart Battery	N/A	N/A
OS Support		
OS Support	N/A	N/A
Power/Thermal Specs.		
Power Requirement (Max)	12VDC / 1.05A	12VDC / 1.75A
Power Consumption (Max)	13 W	21 W
Recommended Power Supply	18 W	30 W
Heat Dissipation	43 BTU/Hr	72 BTU/Hr
Physical Information		
Mounting	Desktop, VESA Mount option	Desktop, VESA Mount option
Net Weight	2.75Lbs / 1.2 Kg	3Lbs / 1.36 Kg
Dimension (W x H x D)	2.80 x 9.30 x 7.17 inch 70.5 x 236.5 x 182.0 mm	2.77 x 9.31 x 7.14 inch 70.5 x 236.5 x 181.0 mm
Environmental		
Operating Temperature	0~35°C (32~95°F)	0~35°C (32~95°F)
Storage Temperature	-20~60°C (-4~140°F)	-20~60°C (-4~140°F)
Relative Humidity	10% to 95% (non-condensing)	0% to 95%
IP/NEMA Rating	N/A	N/A
Certification	FCC, CE, UL 60950-1	FCC, CE, UL 60950-1

AP-3500-E01-003

AP-3500-H01-003



Front Side

Back Side

Front Side

Back Side

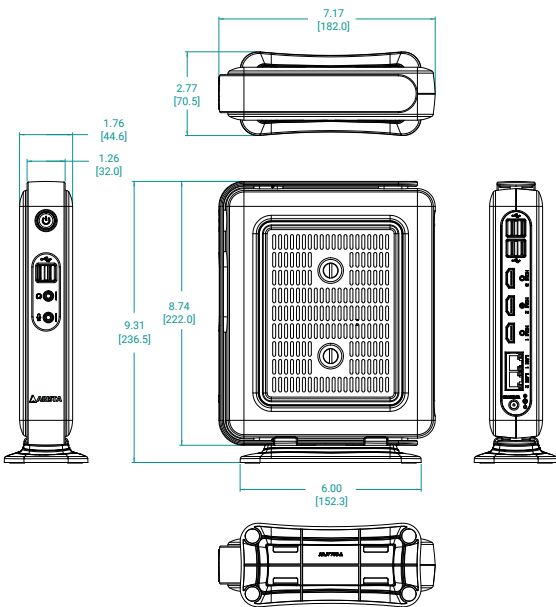
VESA Mount Bracket

AP-3500 Series

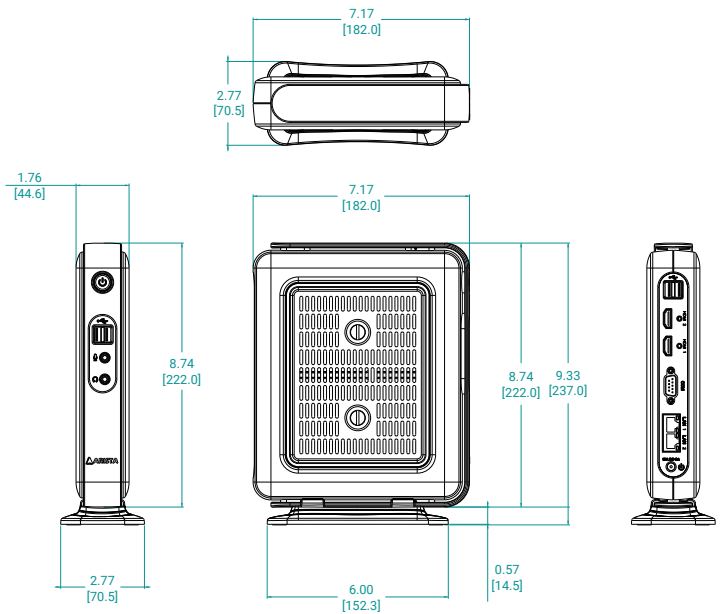


Dimension Drawing

Model Name : AP-3500-H01
Size Unit : inch(mm)

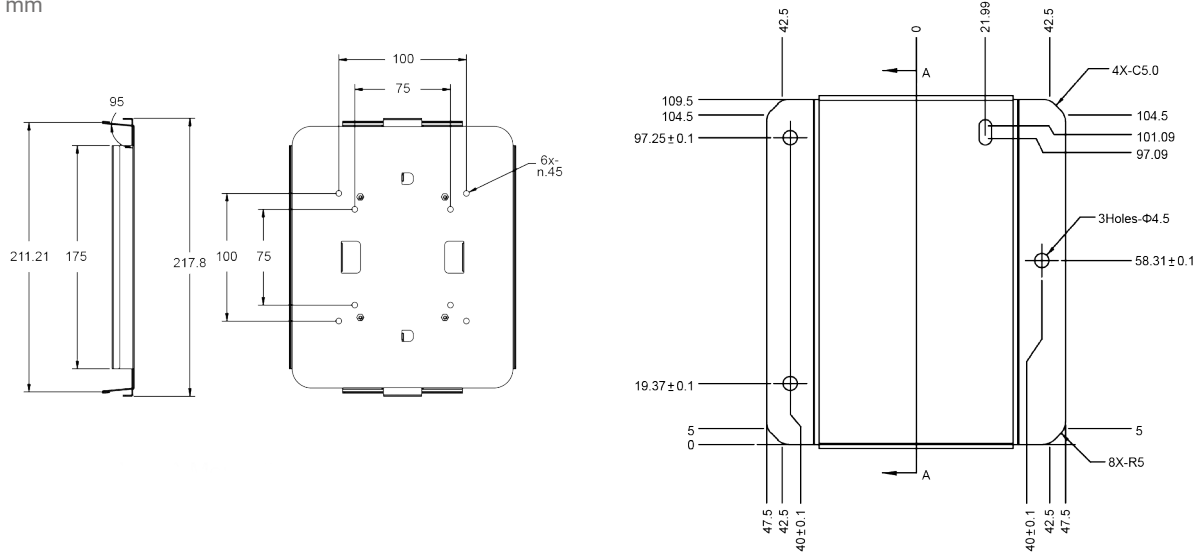


Model Name : AP-3500-E01
Size Unit : inch(mm)



Dimension Drawing

VESE Mount Bracket (optional)
Size Unit : mm



Ordering Information

Item	AP-3500-E01-003	AP-3500-E01-P03
CPU	Intel Celeron J1900 @ 1.99GHz / Atom E3845 @ 1.91GHz CPU	Intel Celeron J1900 @ 1.99GHz / Atom E3845 @ 1.91GHz CPU
Memory	4GB DDR3	4GB DDR3
Storage	N/A	N/A
Remote Boot	ThinManager Ready	PXE
Power Supply	110/220VAC Input	110/220VAC Input
Operating System	N/A	N/A

Item	AP-3500-H01-003	AP-3500-H01-P03
CPU	Celeron 3855U	Celeron 3855U
Memory	4GB DDR4	4GB DDR4
Storage	N/A	N/A
Remote Boot	ThinManager Ready	PXE
Power Supply	110/220VAC Input	110/220VAC Input
Operating System	N/A	N/A